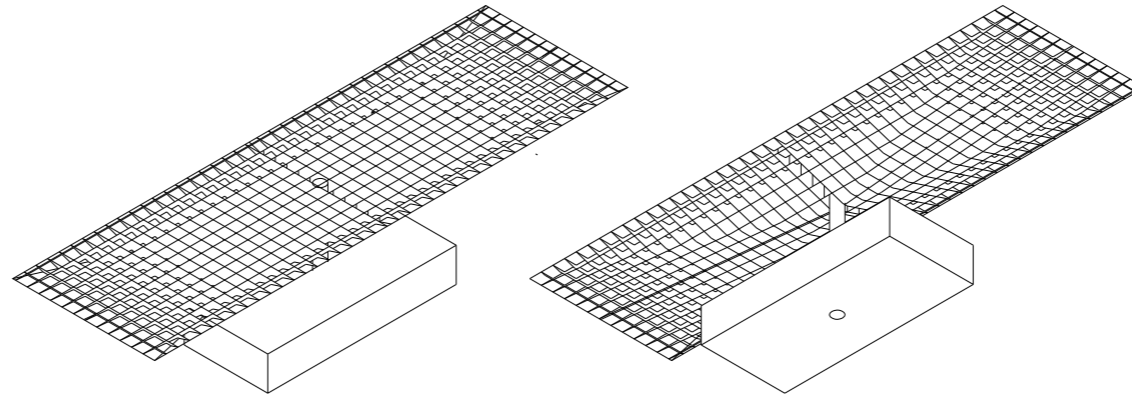
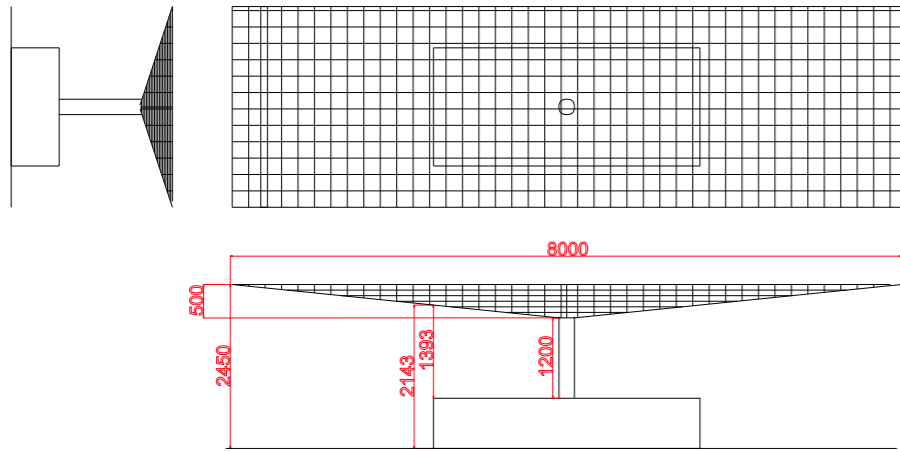


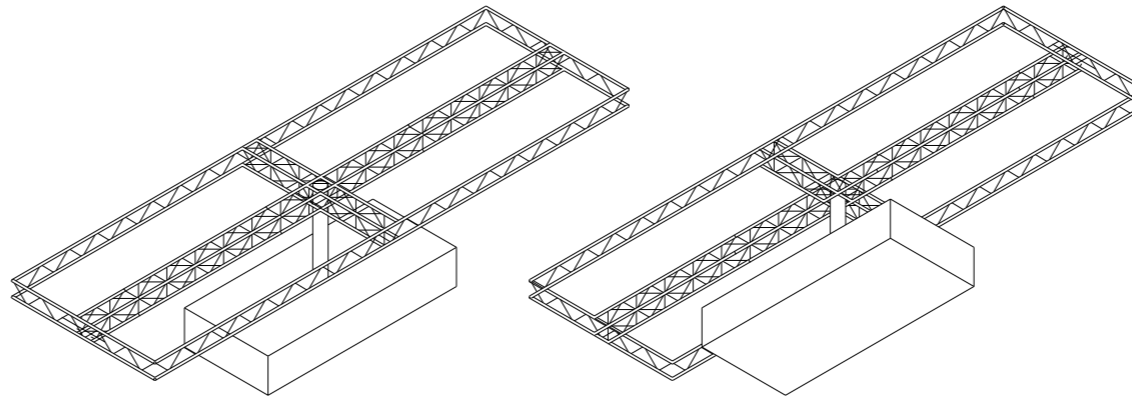
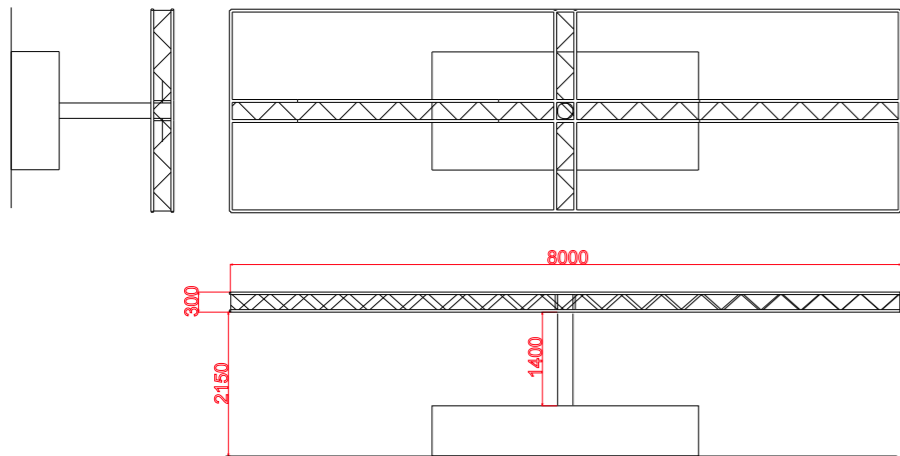
Option 1 - Branching Fins (Pictured without upper and lower sheet coverings)



Material Choices

- Steel
- Aluminium
- Wood
- Perspex

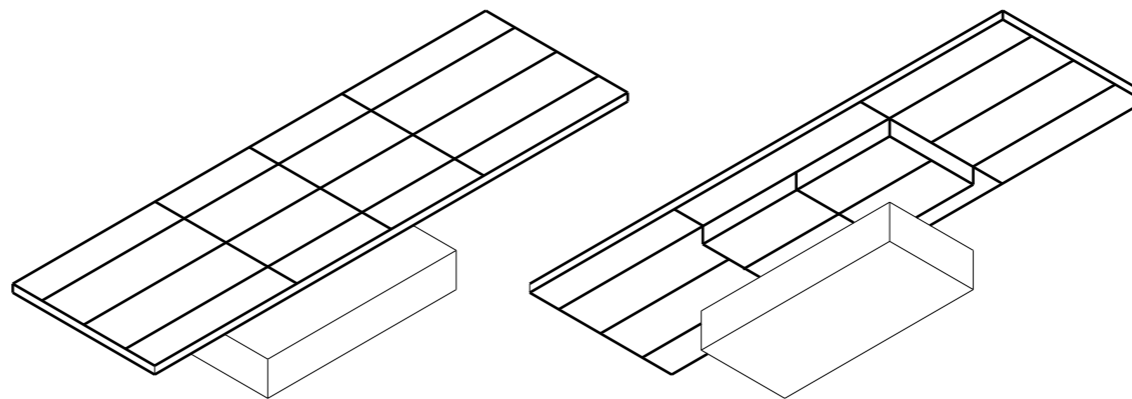
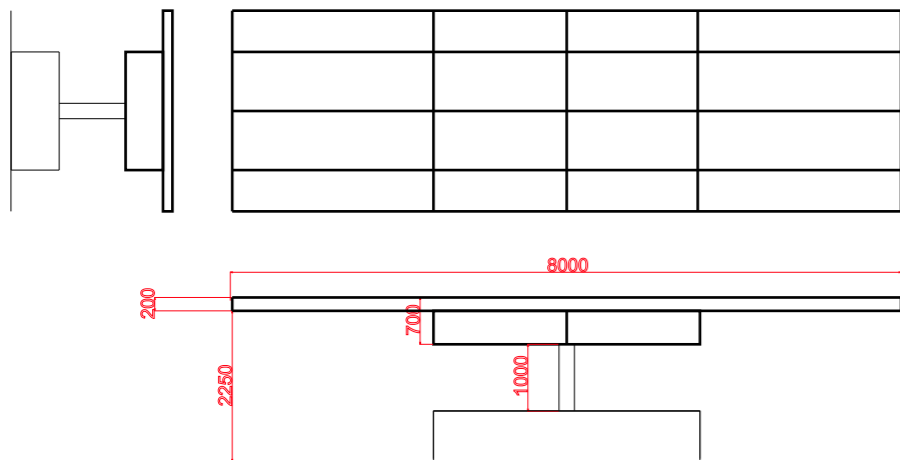
Option 2 - Truss



Material Choices

- Steel
- Aluminium

Option 3 - Centrally Reinforced



Material Choices

- Aluminium
- Steel